

TECHNICAL SPECIFICATION

HB64T P-BUILDS



MODEL - ORDER DEFINING	DESCRIPTION
CHASSIS (BASE MODEL)	PIONEER 64T DAYCAB

APPLICATION PACKAGES	DESCRIPTION
AMENITIES PACKAGES	AMENITIES MAX PACKAGE, DayCab
TECHONOLOGY PACKAGE	TECHNOLOGY MAX PACKAGE, DayCab
AERODYNAMIC PACKAGES	PIONEER AERO PLUS PACKAGE, DayCab

ENGINE / TRANSMISSION	DESCRIPTION
POWERTRAIN CONCEPT	HIGHWAY HAUL, OVERDRIVE
ENGINE PACKAGE, COMBUSTION	MP13-445 MACK 445HP@1850LB-FT, US24
S TRANSMISSION	MACK TMD12AGO mDRIVE 12 SP-OD (OVERDRIVE)

ENGINE / TRANSMISSION EQUIPMENT	DESCRIPTION
S AIR INTAKE & CLEANER	OUTSIDE AIR INTAKE WITH ONE STAGE AIR CLEANER
ALTERNATOR	24V 130AMP BRUSHLESS, DELCO REMY
S BATTERY BOX	4 BATTERY BOX, MOUNTED ON LEFT RAIL
BATTERIES	4 AGM BATTERIES @ 3300 CCA INCLUDING AN ULTRA CAPACITOR
EXHAUST	13' 5" VERTICAL RH INBOARD CHROMED SS TURNED OUT, HORIZONTAL EATS
DRIVELINE - MAIN	SPICER SPL250HDXL LITE W/ HALF ROUND YOKE - LARGE (PROPS-L)
DRIVELINE - INTERAXLE	SPICER SPL170XL "LITE SERIES"
S FUEL-WATER SEPARATOR	MACK FUEL WATER SEPARATOR, ENGINE MOUNTED
ENGINE HEATERS	120v 1500w BLOCK HEATER ONLY

FRONT AXLE EQUIPMENT	DESCRIPTION
FRONT AXLE	13200# (6000 KG) MACK FXL13.2
S SPRINGS - FRONT	MACK PARABOLIC, MAINTENANCE FREE FRONT SUSPENSION, EQUAL BIAS
S FRONT AXLE BRAKE & HUB	MERITOR 430MM (17") DISC, SINGLE PISTON, ALUMINUM PRESET PLUS HUBS W/ LONG WHEEL STUDS

REAR AXLE EQUIPMENT	DESCRIPTION
REAR AXLE	40000# (18100kg) DANA-SPICER D40-156H ADVANTEK, 11mm (7/16") Casing
RATIO - REAR AXLE	3.23 RATIO
S REAR SUSPENSION	40000# (18100kg) MACK MaxLite AIR, STD HEIGHT, 51" BOGIE
S REAR AXLE BRAKE & HUB	MERITOR 430MM (17") DISC, SINGLE PISTON, ALUMINUM PRESET PLUS HUBS W/ LONG WHEEL STUDS

FRAME EQUIPMENT / FUEL TANKS	DESCRIPTION
FRAME RAILS & LINERS	7 x 90 x 300mm - (0.275" x 3.54" x 11.81"); RBM 1,880,000 LB-IN (HT)
WHEELBASE	173"
AF (OVERHANG)	55"
FUEL TANK - LH	26" 75 GALLON (285 LITER) ALUMINUM POLISHED DIESEL COMBO TANK (includes 28 gallon DEF)
FUEL TANK - RH	26" 100 GALLON (380 LITER) ALUMINUM POLISHED TANK
S DIESEL EXHAUST FLUID TANK	28 GALLON (107 LITER) included in LH 26" COMBO FUEL TANK

TECHNICAL SPECIFICATION *(cont.)*



TRAILER or BODY CONNECTIONS	DESCRIPTION
FIFTH WHEEL	AIR 24" SLIDING - HOLLAND FW35, LH AIR RELEASE, STEEL ANGLES

ADVANCED DRIVER ASSISTANCE SYSTEMS	DESCRIPTION
DRIVER MONITORING SYSTEM	PREP KIT FOR LYTX DRIVER MONITORING SYSTEM

CAB - INTERIOR	DESCRIPTION
INTERIOR TRIM LEVELS	ELITE TRIM LEVEL FOR DAYCABS

CAB EXTERIOR	DESCRIPTION
S FRONT BUMPER	3-PIECE AERO BUMPER, PLASTIC MOLDED COLOR CENTER & PAINTED CORNERS, WITH SPOILER

AERODYNAMIC DEVICES	DESCRIPTION
AERODYNAMIC CHASSIS FAIRINGS PACKAGE	CHASSIS FAIRINGS PAINTED WITH XLOW GROUND EFFECTS

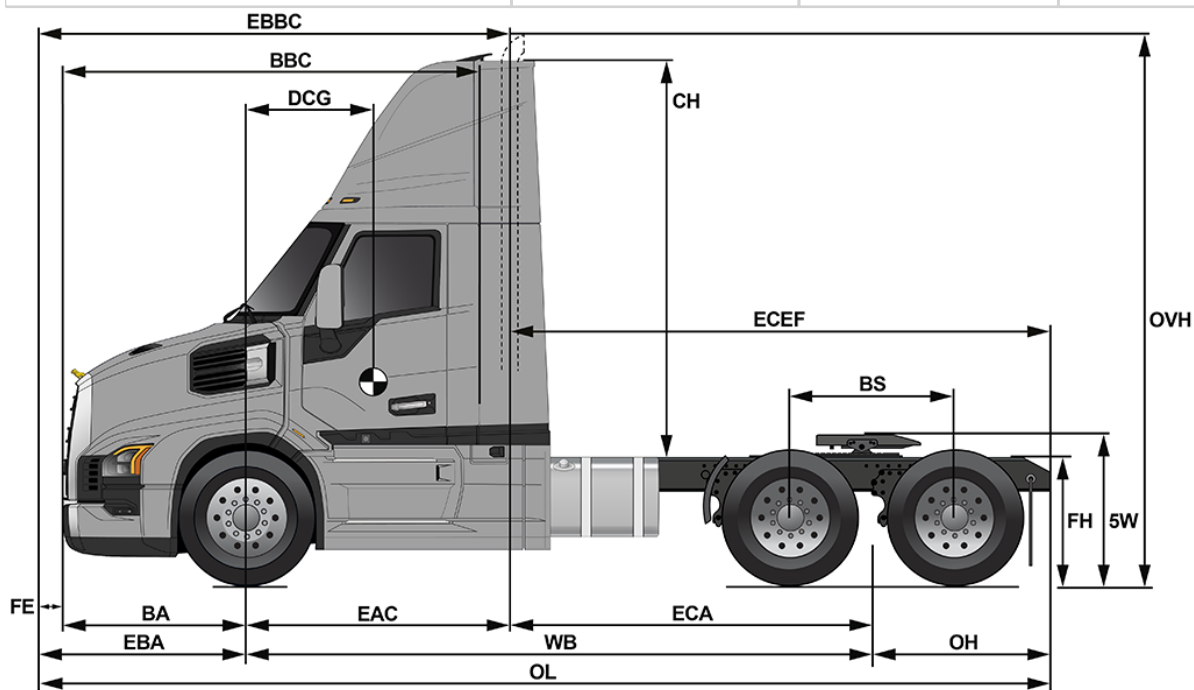
WHEELS & TIRES	DESCRIPTION
TIRES BRAND/TYPE - FRONT	11R22.5 H MICHELIN X LINE ENERGY Z (13220 lbs) (Total for QTY = 2)
WHEELS - FRONT	22.5x8.25 ALCOA 88067x MIRROR POLISHED ALUMINUM, 6.60" OFFSET, 10 HAND HOLE (Total for QTY = 2)
TIRES BRAND/TYPE - REAR	11R22.5 H MICHELIN XDN2 (24020 lbs) (DRIVE ONLY) (Total for QTY = 8)
WHEELS - REAR	22.5x8.25 ALCOA 88067x MIRROR POLISHED ALUMINUM, 6.60" OFFSET, 10 HAND HOLE (Total for QTY = 8)

COMMUNICATION SYSTEMS	DESCRIPTION
TELEMATICS EQUIPMENT - FACTORY PREP KITS	PREP-KIT FOR PEOPLENET COMMUNICATION SYSTEM

PAINT	DESCRIPTION
S PAINT DESIGN	SINGLE COLOR PAINT (NO BREAKS)
PAINT COLOR - FIRST COLOR	ARCTIC WHITE (MACK EXCLUSIVE COLOR); 932845

VEHICLE SPECIFICATION/CALCULATED PERFORMANCE SUMMARY

Description	Dwg Ref	Length	UOM
Front Frame Extension	FE	0.0	INCHES
Bumper to Front Axle	BA	54.7	INCHES
Eff. Bumper to Front Axle	EBA	54.7	INCHES
Wheelbase	WB	173.2	INCHES
Rear Overhang	OH	54.9	INCHES
Overall Length	OL	282.8	INCHES
Bumper to Back of Cab	BBC	125.0	INCHES
Eff. Bumper to Back of Cab	EBBC	133.0	INCHES
Eff. Cab to Rear Axle	ECA	95.0	INCHES
Eff. Front Axle to Back of Cab	EAC	78.3	INCHES
Eff. Cab to End of Frame	ECEF	149.9	INCHES
Unladen 5th Wheel Height	5W	48.0	INCHES
Unladen Frame Height	FH	40.7	INCHES
Cab Height	CH	119.1	INCHES
Overall Height	OVH	159.8	INCHES
Driver CG	DCG	55.1	INCHES
BOGIE SPREAD, 1300MM (51.0")	BS	51.2	INCHES





1900 - 2025

Mack Trucks
www.macktrucks.com